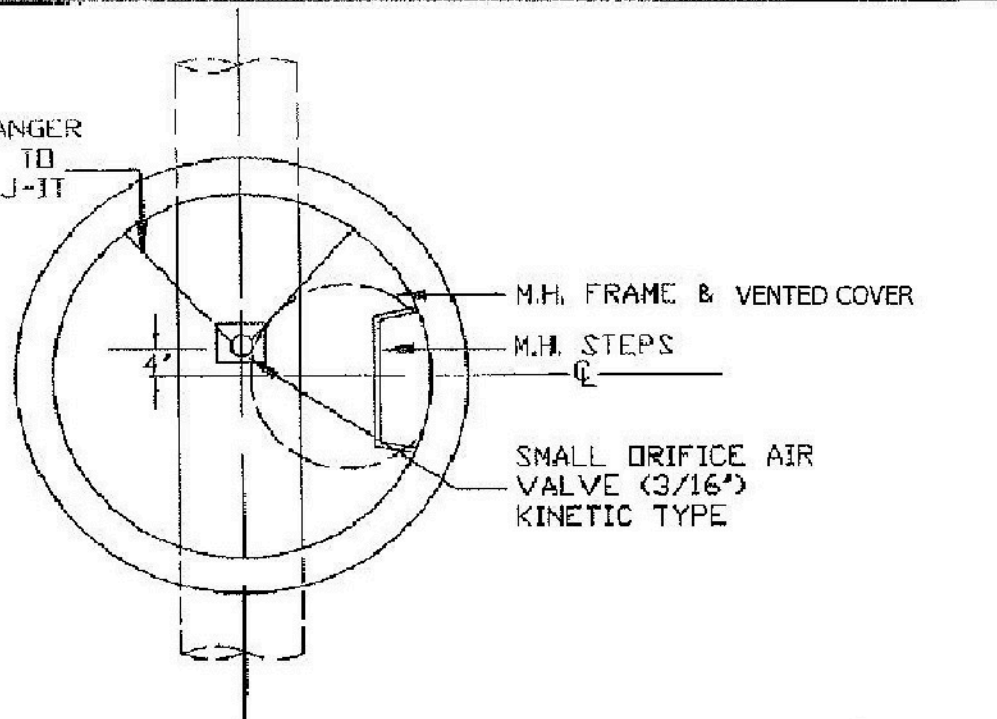
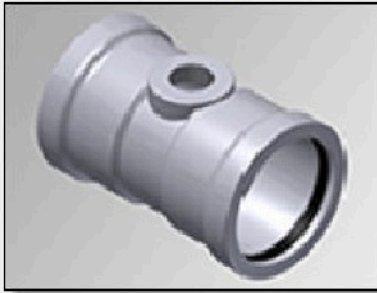


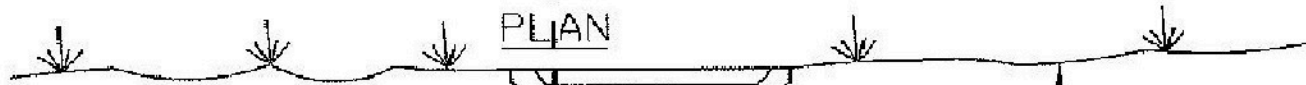
ST'D. SMALL PIPE HANGER  
AS BRACING. FASTEN TO  
M.H. WITH 1 1/4" WEJ-IT  
DRILLED-IN ANCHOR

HARCO  
PVC C-900 Tapped Tee

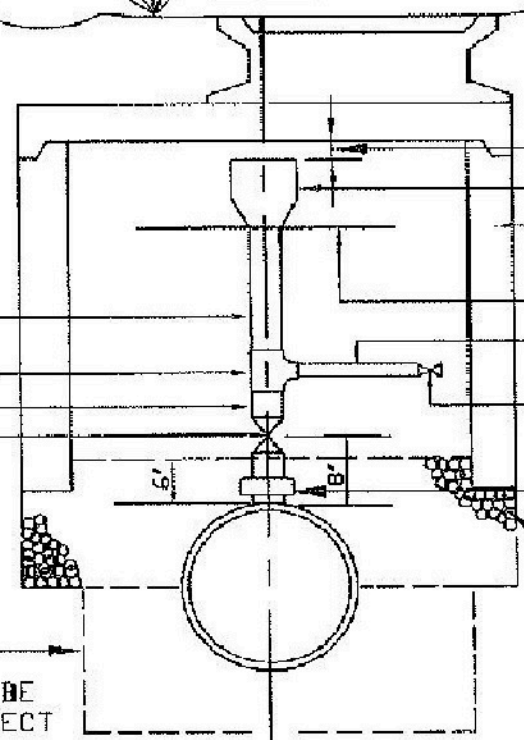


M.H. FRAME & VENTED COVER  
M.H. STEPS  
SMALL ORIFICE AIR  
VALVE (3/16")  
KINETIC TYPE

PLAN



FINISHED  
GRADE



6" MIN.  
AIR RELEASE VALVE  
4'-0" DIA. M.H.  
PIPE HANGER SUPPORTS  
1' X 12" BRASS NIPPLE  
1" BRASS BALL OR GATE  
VALVE WITH HANDLE  
2" MUELLER H-10046  
CORP. STOP (2" MIP X FIP)  
#57 STONE AGGREGATE  
EXTENDED 4'-0" BOTH  
SIDES OF CENTERLINE  
OF M.H. ALONG WATER  
MAIN

2"x6" BRASS NIPPLE  
2"x2"x1" BRASS TEE  
2"x2" BRASS NIPPLE  
2" BALL VALVE W/HANDLE

ALL PIPING SHALL  
BE BRASS.

PIPE BEDDING

AIR RELEASE VALVE TO BE  
PLACED WHERE NOT SUBJECT  
TO FLOODING.

ELEVATION

- NOTE:
1. HARCO TAPPED SERVICE TEE FOR C-900 PIPE (OR COUNTY APPROVED EQUAL) MUST BE USED FOR WATER MAINS OR FORCE MAINS THAT ARE 4" - 8".
  2. 2" AIR RELEASE VALVE ARE GENERALLY USED ON WATERLINES 16' OR LARGER IN DIAMETER.
  3. LARGER, STRAIGHT RUN LINES MAY REQUIRE EVEN LARGER AIR RELEASES UNDER CERTAIN CIRCUMSTANCES. THESE ARE TO BE EVALUATED ON A CASE BY-CASE BASIS.

REVISIONS  
MARCH 2017  
New Kent  
COUNTY  
VIRGINIA

2" AIR RELEASE VALVE ASSEMBLY

DRAWING NO.

116