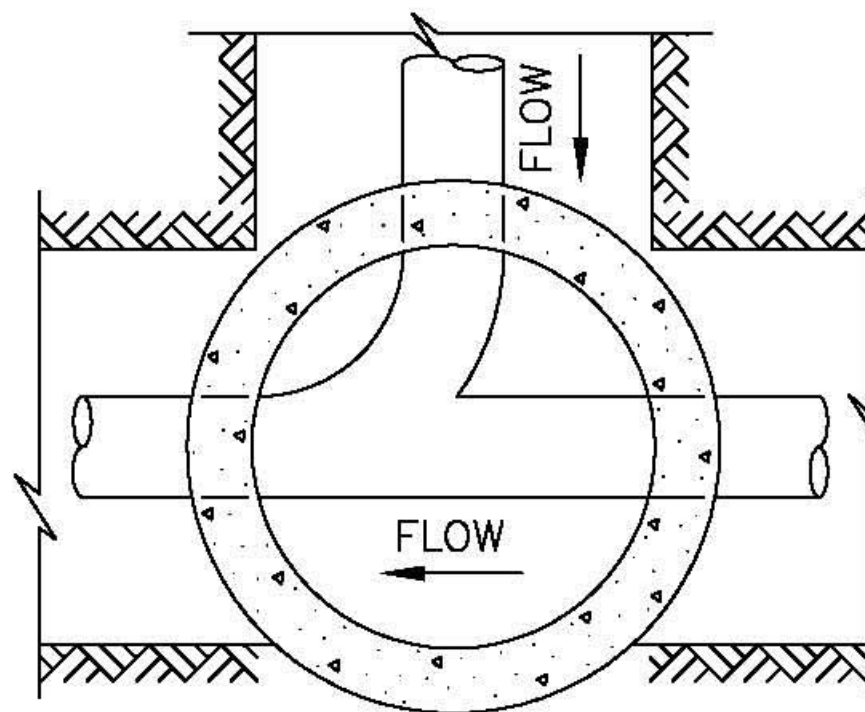


NOTE: THE EFFLUENT ELEVATION SHOWN AT A MANHOLE IS ESTABLISHED FROM THE INFLUENT ELEVATION OF THE MANHOLE IMMEDIATELY DOWNSTREAM. ELEVATIONS SHOWN APPLY AT THE CENTERLINE OF MANHOLES AND ARE BASED ON THE HORIZONTAL DISTANCE, CENTERLINE TO CENTERLINE OF MANHOLE USING PERCENT OF GRADE INDICATED.



PLAN INVERT