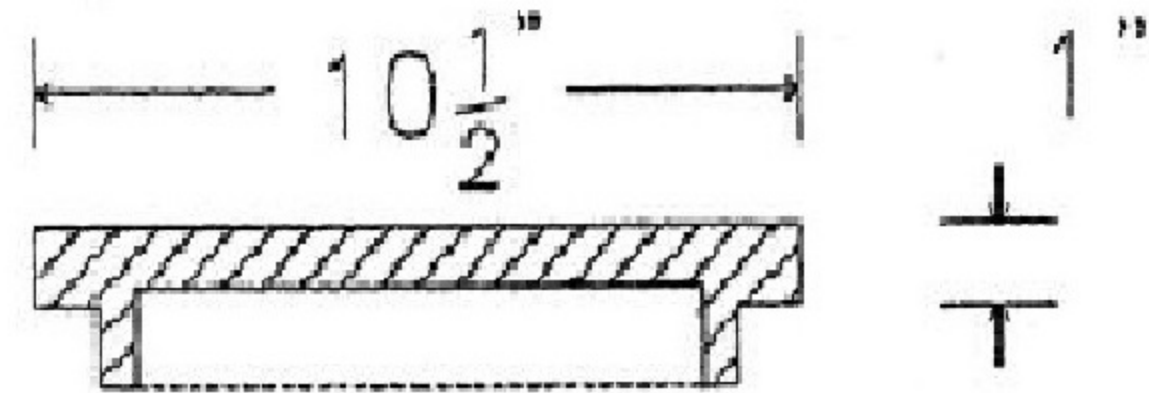
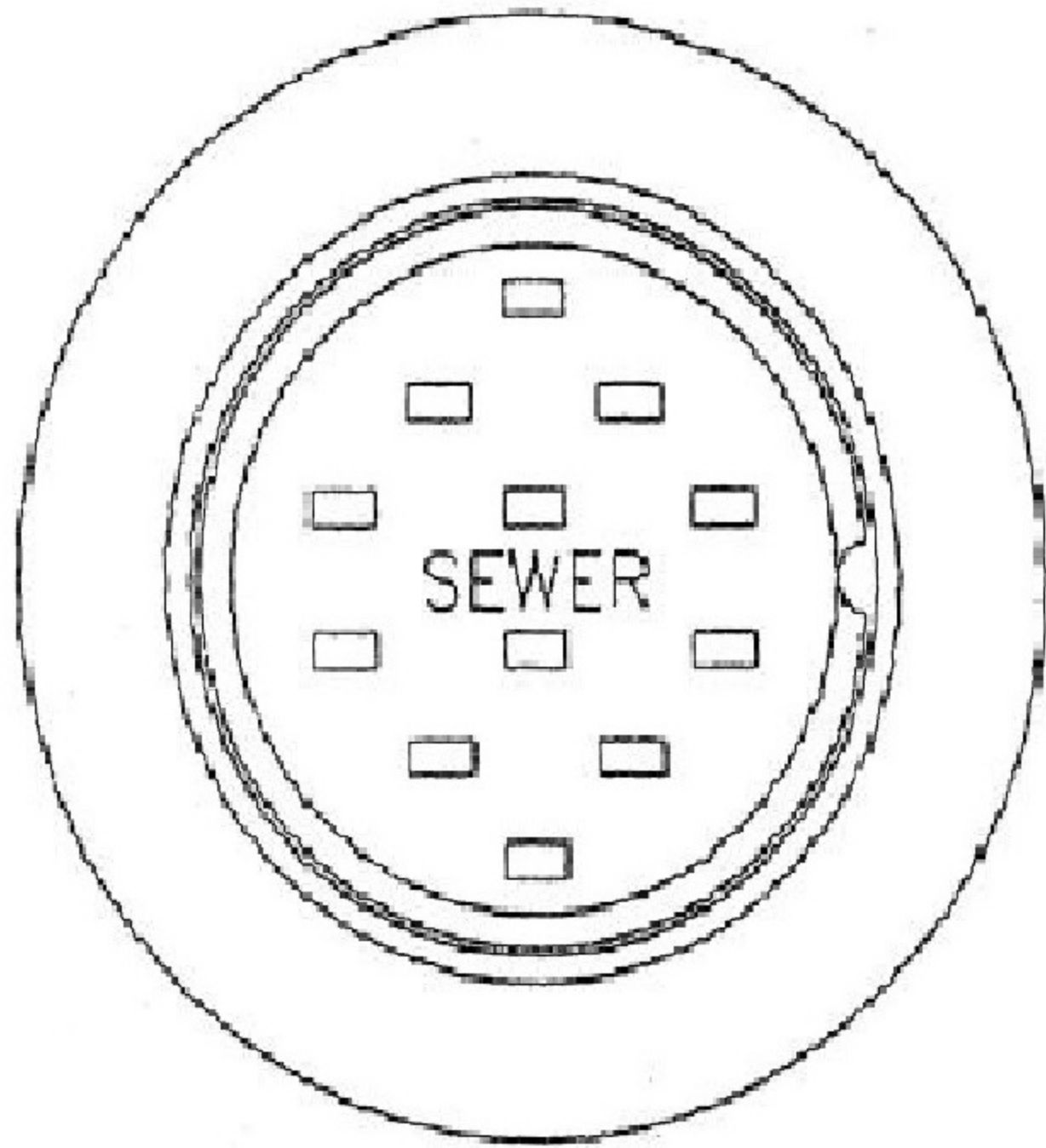
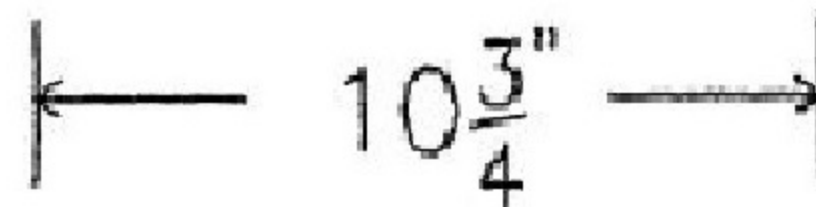


NOTE: ALL CLEANOUT BOXES MUST BE INSTALLED TO FINAL GRADE. NO WATER METERS WILL BE INSTALLED FOR ANY LOT WHERE THE CLEANOUT BOX IS NOT TO GRADE.



FINISHED GRADE



NOTE: BOX AND COVER TO BE CAPITOL FOUNDRY PCO-1 OR APPROVED EQUAL

SCREW-IN CLEANOUT PLUG

12 GAUGE COPPER TRACING WIRE LOOPED UP INTO CLEANOUT BOX

